

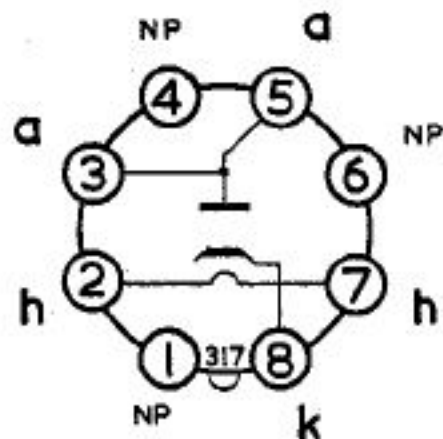
# U291

## Half Wave Rectifier 0.3A, 29V Heater

### Typical Operation

$I_a$	300	mA
$V_{in(rms)}$	250	V
$V_{out}$	242	V
P.I.V. <sub>max</sub>	700	V
$C_{res}$	100	$\mu F$
$R_{lim}$	35	$\Omega$

### Int. Octal



# U301

## Efficiency Diode 0.2A, 28V Heater

### Ratings

P.I.V. <sub>max</sub>	4.5	kV
$I_a(max)$	150	mA
$V_{h-k(max)}$	900	V

*Rating applies only to use as an Efficiency Diode.*

### Int. Octal

